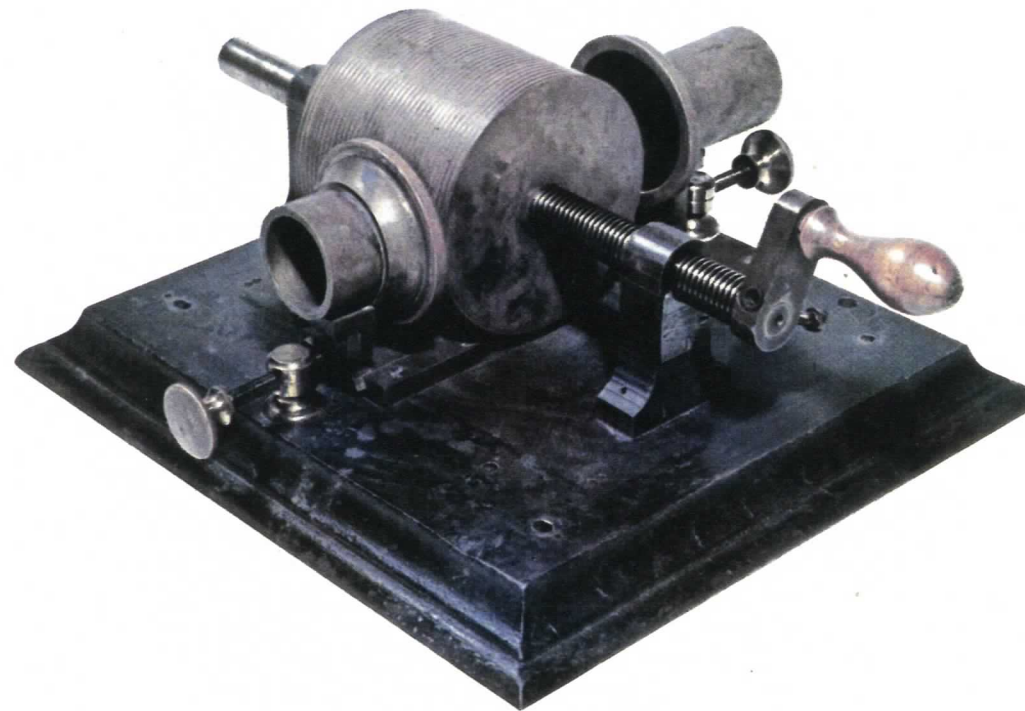


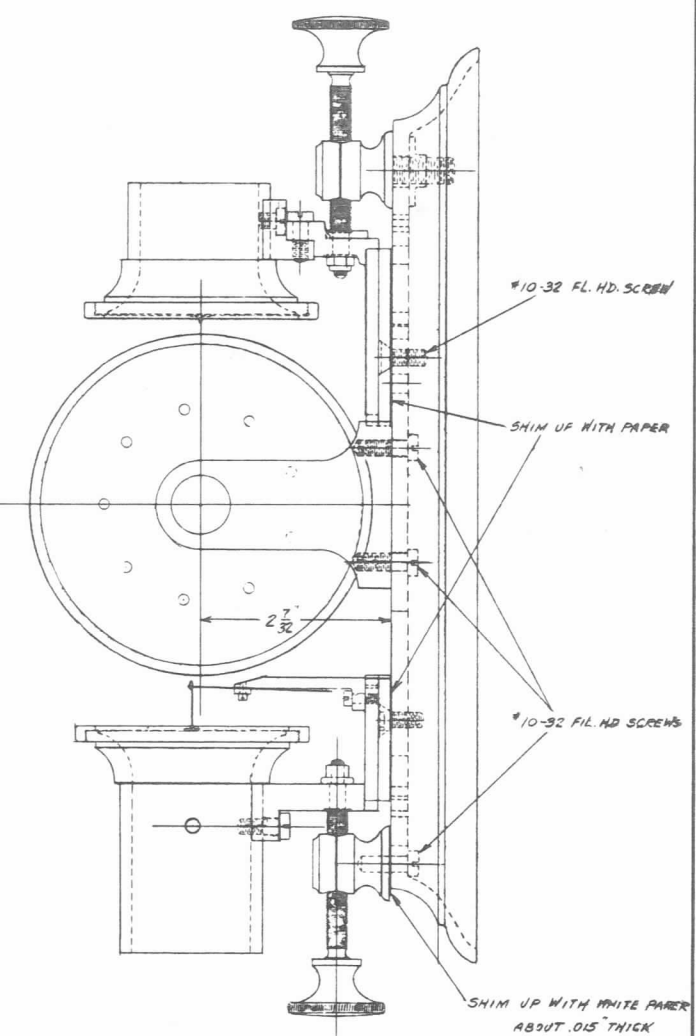
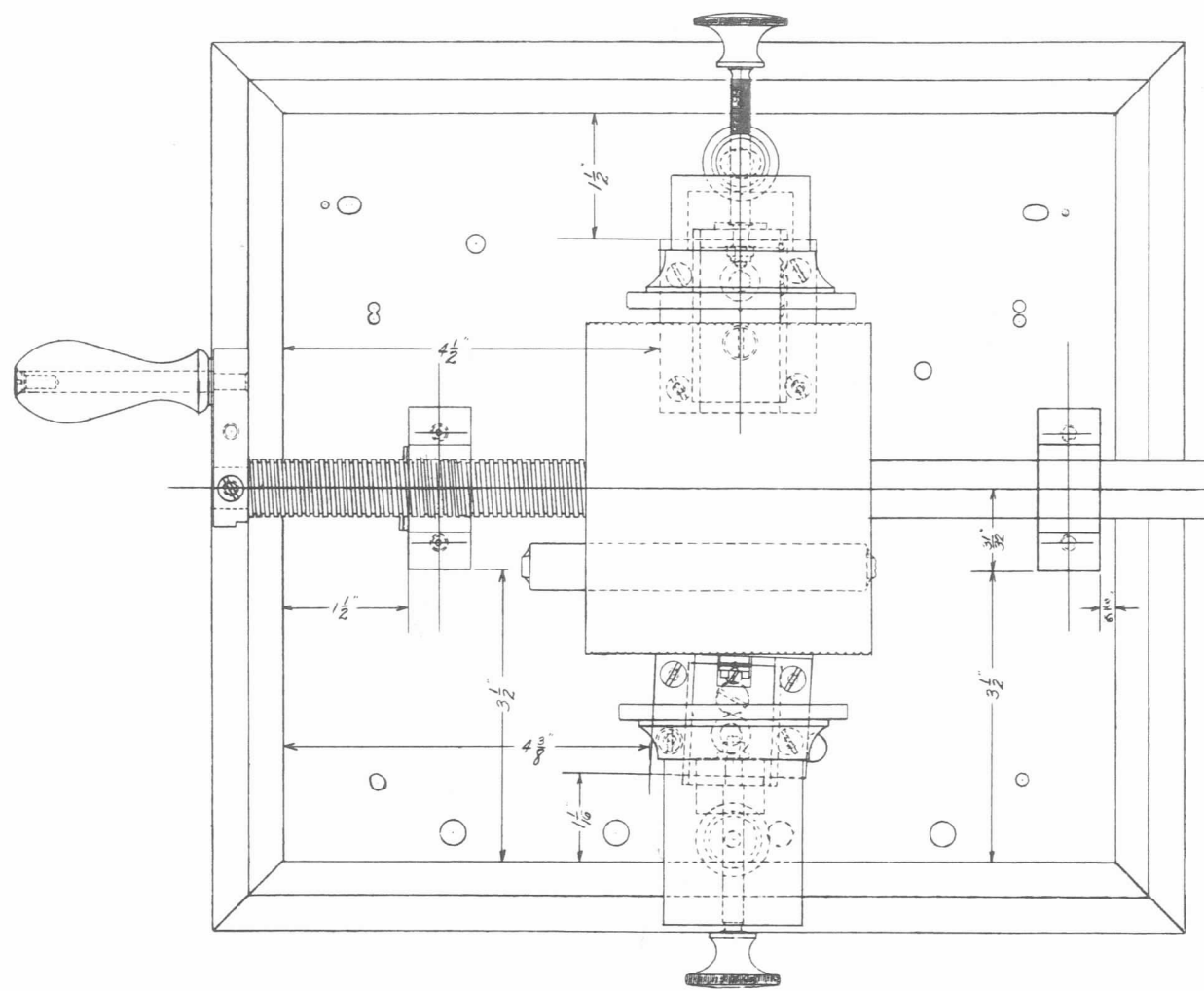
Build the Edison Tin-Foil Phonograph



The patent for the original tin-foil phonograph was granted its inventor, Thomas Alva Edison, February 19, 1878, after filing with the U. S. Patent Office on December 24, 1877. John Kruesi, the foreman of the machine shop at Menlo Park, New Jersey, fabricated and delivered the instrument to Mr. Edison August 15, 1877, for experimentation. The grooved cylinder was covered with tin-foil—hence the name the tin-foil phonograph—and turned by hand. A stylus was attached to a diaphragm on each side of the cylinder. Indentations were made in the tin-foil wrapped around the cylinder as Mr. Edison shouted into the machine, “Mary had a little lamb, Its fleece was white as snow; And everywhere that Mary went, The lamb was sure to go.” Returning the cylinder to its original position and adjusting the other diaphragm, reproduction was accomplished.

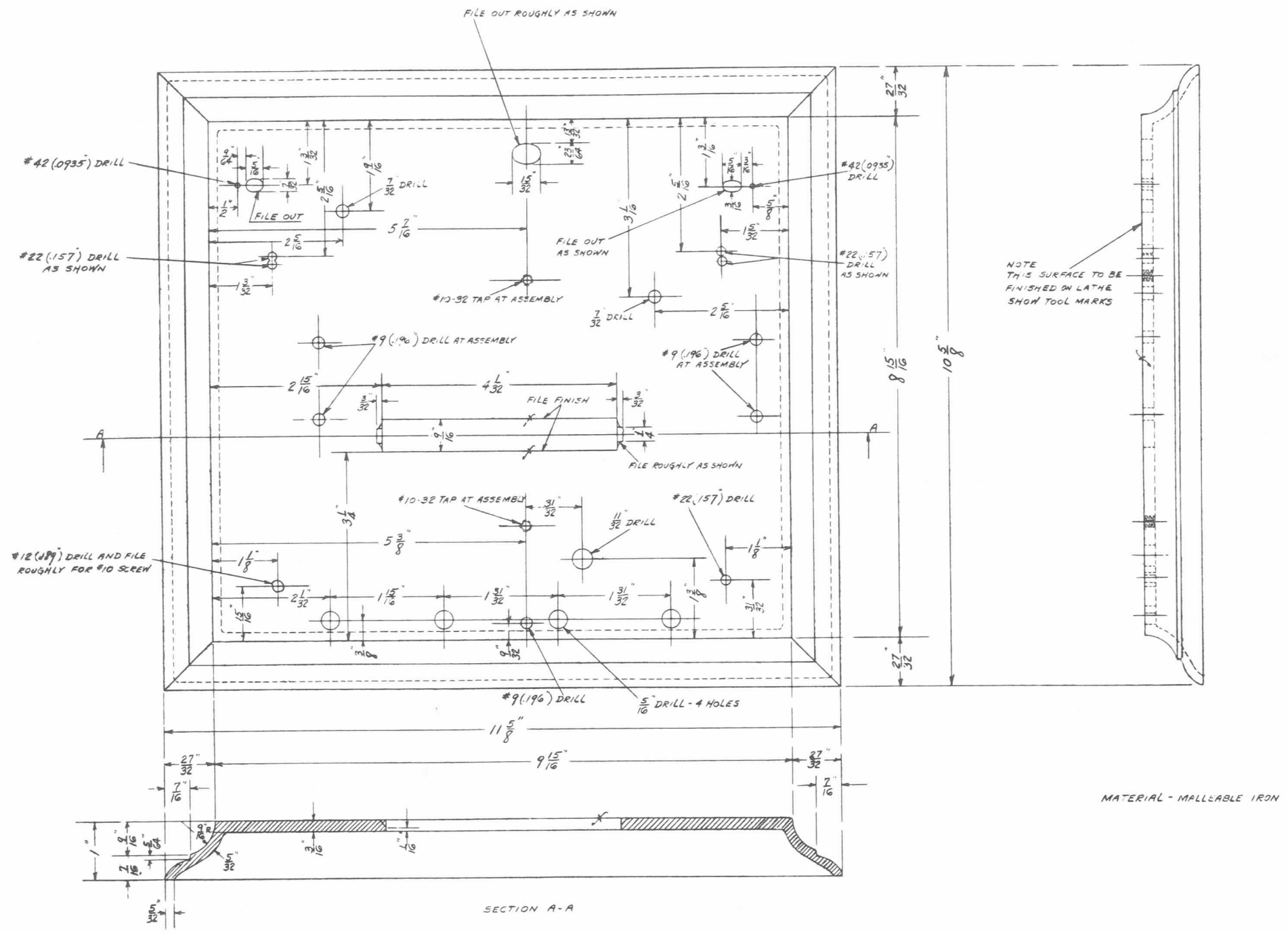
Photograph and blueprints courtesy Edison National Historical Site, Orange, New Jersey.

126/8



THOMAS A. EDISON, LAB.
 ORANGE, N. J. DATE FEB. 19, 1880
 MODEL OF ORIGINAL PHONOGRAPH
 ASSEMBLY

DRAWN BY G.C.	CHECKED BY J.W.
TRACED BY	APPROVED BY



THOMAS A. EDISON, LAB	
ORANGE, N. J.	DATE JAN. 24, 1900
MODEL OF ORIGINAL PHONOGRAPH	
BASE	
DRAWN BY S.C.	CHECKED BY J.W.
TRACED BY	APPROVED BY